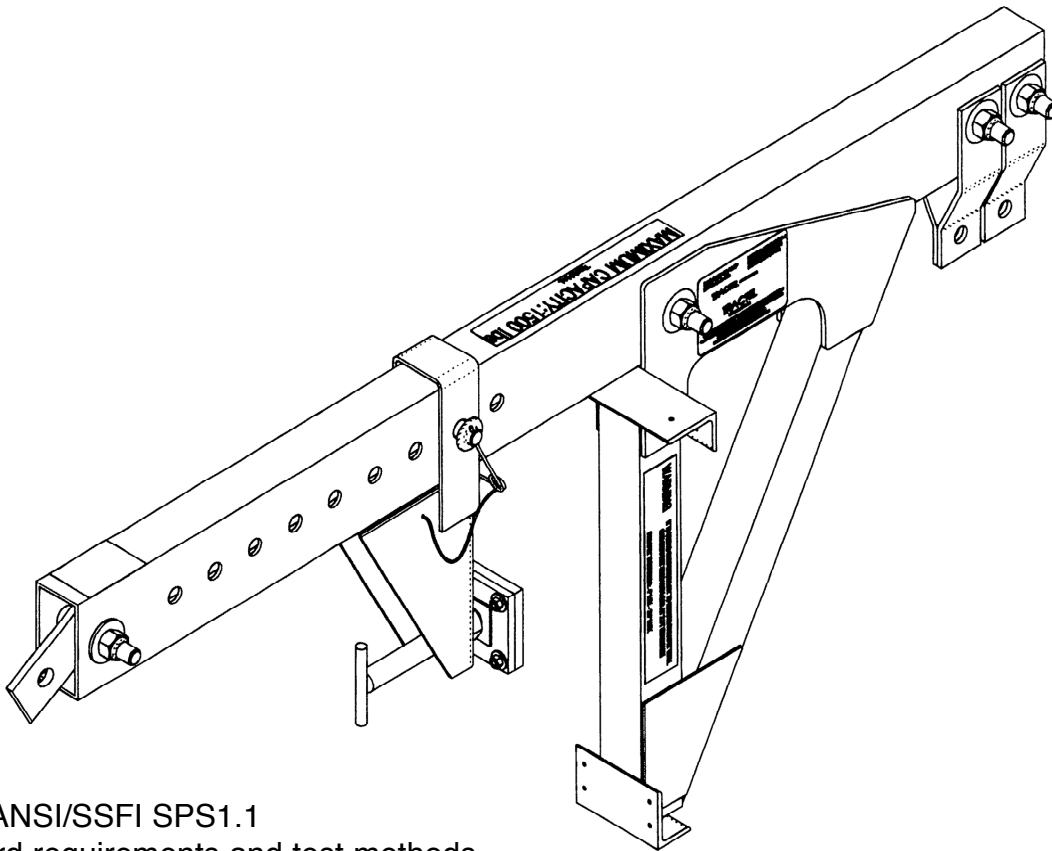


Parapet Clamp

1500 lb. capacity
for parapets 4" to 25" wide

assembly and operating manual
TRACTEL GRIPHOIST Inc.

51 Morgan Drive
Norwood, Massachusetts
02062
Tel: (781) 401-3288 Fax: (781) 828-3642



Meets ANSI/SSFI SPS1.1
Standard requirements and test methods
for testing and rating portable rigging
devices for suspended scaffolds.

Parapet Clamp

1500 lb. capacity





assembly and operating instructions

CONTENTS

	Page
1. GENERAL WARNING	4-5
2. TRANSPORT AND HANDLING	5
3. TECHNICAL SPECIFICATIONS PARAPET CLAMP	6
4. ASSEMBLY INSTRUCTIONS	
4.1 Assembly of Parapet Clamp	7
4.2 Installation parapet	8-9
4.3 Installation of tieback	10
4.4 Set up of ropes	11
4.5 Set up pf Parapet Clamp	11
5. CHECKS BEFORE USING THE PARAPET CLAMP	
5.1 Suspension Points and Support Equipment	12
5.2 Platform	12
5.3 Wire Ropes	12
5.4 Hoists	12
6. USE AND OPERATION OF THE PLATFORM	13
7. INFORMATION FOR MAINTENANCE	13
8. LABELING	14

Explanation of Symbols used in this manual

Safety advice

Symbol	Code word	Meaning	Possible consequence of non-compliance
	WARNING	IMMEDIATE or possibly imminent danger:	Fatal or serious injuries!
	CAUTION	possibly dangerous situation:	Minor Injuries to persons!
<u>Other Advice</u>			
	NOTE	possibly dangerous situation:	Damage to equipment or its surroundings
	(none)	Instruction for documentation in writing (i.e. record keeping)	(none)



GENERAL WARNING



Read this general warning first.

In suspended platform operations, safety is a matter of life or death for riggers, operators and by-standers. This warning is your share of duties for achieving safety.

YOUR DUTY TO UNDERSTAND AND COMPLY.

1. It is the responsibility of the employer that the rigger's and the operators, strictly conform to the following warnings.
2. It is imperative for safety and efficiency of operations that this manual be **read and fully understood** by the rigger and the operator before rigging or operating the platform. **All instructions contained herein must be carefully and strictly followed, including applicable Tractel safety guidelines.**
3. Should you hand over a parapet clamp under any conditions conditions, to any party operating out of your control, you must attach a clean copy of this manual and draw to other party's attention that strictly following all the instructions therein is a matter of life or death.
4. Before using the parapet clamp, the rigger and the operator must become aware of all the requirements of federal, state, provincial and local safety regulations, not only applicable to the parapet clamp, but also to the entire suspended scaffold system or any component of it.
5. Never use the parapet clamp for any job other than lifting personnel on suspended scaffold as described in this manual.
6. Never load the parapet clamp above its rated load.

YOUR DUTY TO INSPECT AND MAINTAIN.

7. Keep this manual available at all times for easy reference whenever required. Extra copies are available from Tractel and/or your equipment supplier.
8. Carefully take notice of all the labels affixed to the parapet clamp. Never rig or operate the parapet clamp if any label, normally fixed on it is obscured or missing. Replacement labels are available form Tractel and/or your equipment supplier.
9. Every time the parapet clamp is to be rigged or used, check that the parapet clamp, platform, hoists, wire ropes and other components of the suspended scaffold system are complete and in good working condition, prior to proceeding.
10. A careful and regular inspection of the platform hoists, wire ropes and other components of the installation is part of the safety requirements. If you have a question, call Tractel and/or your equipment supplier.
11. Maintenance may only be carried out by personnel authorized by Tractel. A signed and dated inspection record should be maintained.
12. After each de-rigging and before re-rigging, the parapet clamp must be inspected by a competent person familiar with the parapet clamp and professionally trained for the purpose.

13. Inspection by persons authorized by Tractel is to be carried



out once every six months. To spot check the condition of the clamp and it's components and that rigging is being done correctly. A signed and dated inspection record should be maintained for these purposes.

14. The manufacturer declines any responsibility for consequences of repairs or modifications brought out of its control to the product, specially by replacement of original parts or repairs by another manufacturer.

YOUR DUTY TO TRAIN AND CONTROL PEOPLE.

Compliance with safety rules extends to rigging operations which must be carried out only after securing safe conditions of operation as per safety regulations and requirements.

15. An operator must not be assigned to a suspended job or to rigging for a suspended job, or to de-rigging after the job, if that person is not:
 - a) mentally and physically fit for the purpose, especially at heights.
 - b) competent for the job to be performed.
 - c) familiar with the scaffold equipment as rigged.
 - e) professionally trained for working under the above requirements.

Except for the operations described in this manual, the maintenance of the parapet clamp, as wells as repairs, must be exclusively done by repairers authorized by Tractel. Spare parts used for all equipment must be in accordance with the product, no substitutions are allowed.

16. Never let the parapet clamp or other components of a suspended scaffold system be managed or operated by any person other than authorized and assigned to the job. Keep the equipment, either rigged or unrigged, out of reach of unauthorized persons, while out of operation.
17. Training operators and riggers includes setting up rescue procedure should a scaffold be brought to a standstill during a job. Such procedure must be set up by a competent person of the user, or its technical consultant, according to the working conditions, prior to putting the equipment into operation.
18. Every suspended job must be placed under the control of a person having the required competence and authority for checking that all the instructions prescribed by this manual be regularly and efficiently carried out.

YOUR DUTY TO SAFETY BEYOND THE PARAPET CLAMP

As being only one piece of a scaffold system, the parapet clamp can contribute to the required safety only if:

19. Compatibility of other brands has been verified & approved by Tractel engineering department.
20. It is fitted on compatible equipment.
21. Other components meet the requirements of the applicable safety regulations and requirements, are of the proper quality, assembled to form a safe and efficient suspended scaffold system and are approved by Tractel engineering department
22. Every upper support of the scaffold is stable, sufficiently strong and properly tied back to the structure, according to the load either static or dynamic.
- 23. Supporting structure and tie-backs provide the required to withstand every load to be applied, either static or dynamic, during rigging or operating the scaffold equipment.**
24. All the requirements in strength and resistance are obtained with the necessary safety coefficients (see regulations and professional standards).
25. All the calculations, design and subsequent work necessary to meet the above requirements have been made by a competent person on the basis of proper technical information regarding the site.

YOUR DUTY TO AVOID TAKING CHANCES.

26. Once the suspended platform has been lifted off its initial support (ground or any other level), it is imperative not to release, remove, alter or obstruct any part of the equipment under load.
27. **NEVER** allow any condition which would result in a suspension wire rope becoming **SLACK** during the operation unless:
 - a) the suspended platform is safely supported on a safe surface giving a safe access to the operator in compliance with safety regulations.
 - b) another suspension wire rope has been safely rigged to the suspension platform.
28. Never operate a platform and its accessories, especially electric ones, in a potentially explosive atmosphere.
29. For any job to be performed on the suspended equipment, consider and control the specific risks related to the nature of the job.
30. Should you decide that this parapet clamp is no longer to be used, take precautions in disposing of it so that it cannot be used any more.
- 31. The manufacturer declines any responsibility for any special rigging or structural combinations beyond the descriptions of this manual.**
- 32. The manufacturer declines any responsibility for any other use of the parapet clamp, than described in this manual.**

AN ULTIMATE RECOMMENDATION

Never neglect means to improve safety. Due to the risks inherent in the use of suspended scaffolding, it is strongly recommended that every installation be equipped with secondary wire rope(s) fitted with a separate fall arrest system, anchored to a safe separate point of the building structure.

This manual is neither a regulations compliance manual nor a general training guide on a suspended scaffold operations. You must refer to proper instructions delivered by manufacturers of the other pieces of equipment included in your suspended scaffold installation. Whenever calculations and specific rigging and handling are involved, the operator should be professionally trained to that end and secure relevant information prior to commencing such work.

2. TRANSPORT AND HANDLING

Components		Weight	
		lbs.	kg.
Parapet Clamp - 1500 lb capacity	DPC001	53	24
Parapet Clamp Rear Bracket	DPC110	2	0.9
Rear Clamp Assembly	DPC020	13	6
Parapet Clamp Front Clamp Assembly	DPC103	14	7
Hanger Bracket	DPC114	3	1.4
Parapet Clamp Boom	DPC100	15.5	7

Handle equipment with care, do not drop equipment during loading or unloading. Impose loads on Parapet clamp gently and without impact.

3.0 TECHNICAL SPECIFICATION OF THE PARAPET CLAMP

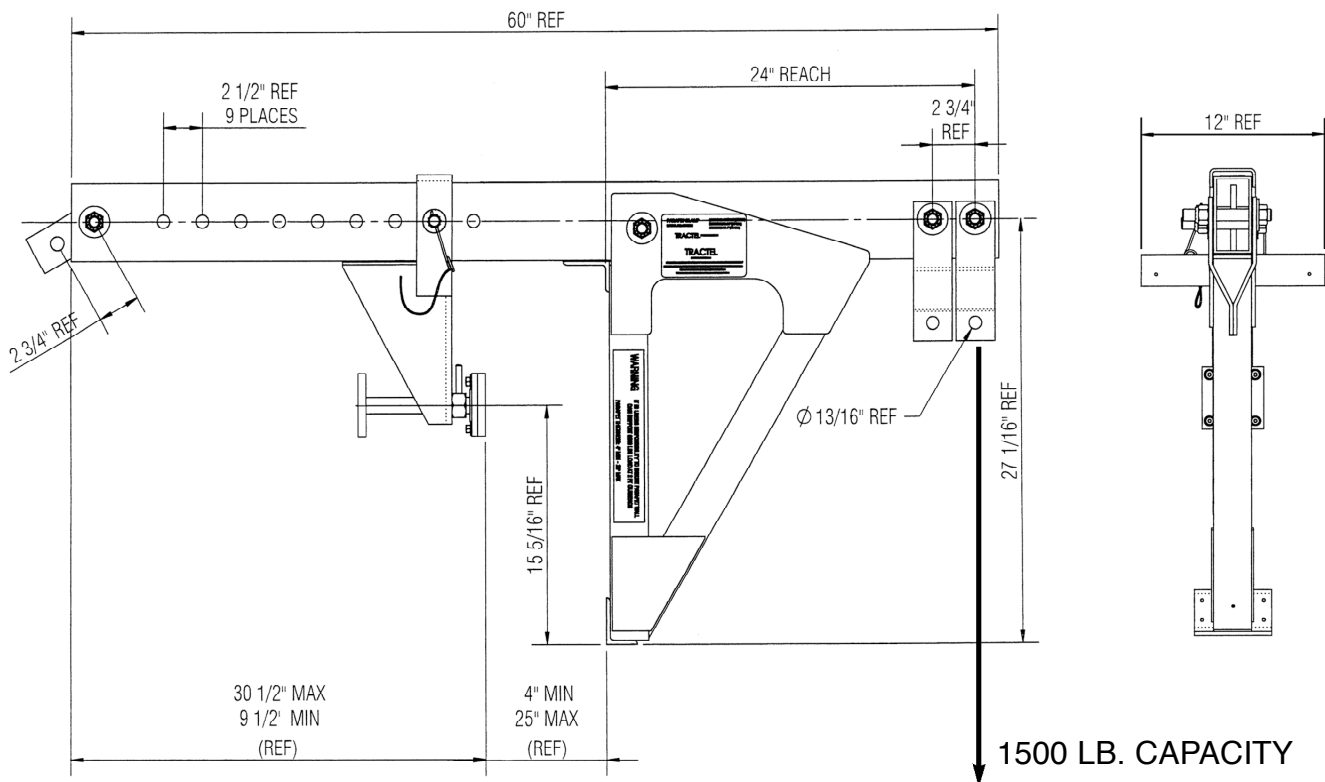


WARNING!



Before installing a parapet clamp, the parapet must be inspected by the building owner's engineer of record to ensure the parapet can support the intended loads.

The parapet clamp described in this manual has a rated capacity of 1500lbs when properly installed and tied back. The clamp provides for a 24" suspension overhang and clamps on parapets from 4" to 25" wide.



4.1 ASSEMBLY OF PARAPET CLAMP

The parapet clamp comes pre-assembled in accordance to these instructions. Instructions are provided for replacement purposes.

The parapet clamp consists of 4 components attached to the parapet clamp boom (DPC100 item 5). These components are all attached using the hardware in figure 1.

Attach the parapet clamp rear bracket (DPC110 item 1) using the hardware shown. Insert bolt (A) with 1 washer (C) already in place through boom (5) and rear bracket (1). Then add the second washer (C), locking nut (D) and tighten securely. (see fig. 2 and 3)

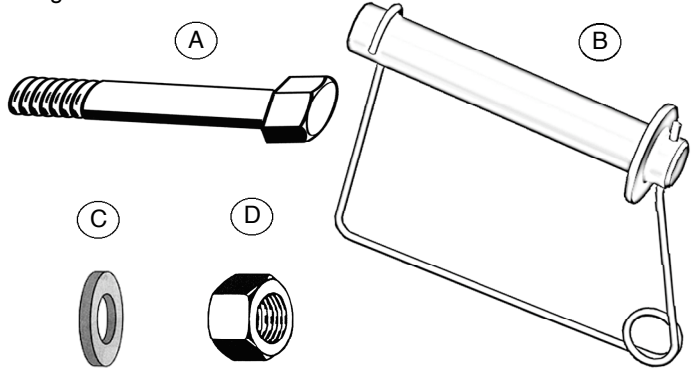
The rear clamp assembly (DPC020 item 2) allows you to adjust for the thickness of the parapet ranging from 4" to 25" in thickness. Determine the opening required by measuring the width of the parapet and any wood blocking if being used. Secure any wood blocking to the clamp before installation.

Attach the rear clamp assembly (DPC020 item 2) by sliding the "U" channel over the boom (see fig. 2 and 3) and then use the snap pin (B) to secure. Insert snap pin (B) through the rear clamp and the parapet boom and secure the pin in place. (see fig. 2 and 3)

Attach the front clamp (DPC103 item 3) using the hardware shown. Insert bolt (A) with 1 washer (C) already in place through front clamp (3) and boom (5). Then add the second washer (C), locking nut (D) and tighten securely. (see fig. 2 and 3)

Attach the parapet clamp hanging bracket (DPC114 item 4) using the hardware shown. Insert bolt (A) with 1 washer (C) already in place through hanging bracket (4) and boom (5). Then add the second washer (C), locking nut (D) and tighten securely. (see fig. 2 and 3)

Fig. 1



	PART #	DESCRIPTION	QTY.
A	FA0750502	3/4" - HEX BOLT - 10 UNC GR 5 PLTD	4
B	233258	Snap Pin	1
C	FAX1634A3	3/4" FLAT WASHER A325-Galvanized	8
D	FN0020752	3/4" - NUT NYLOCK - 10 UNC GR 5 PLTD	4

Fig. 2

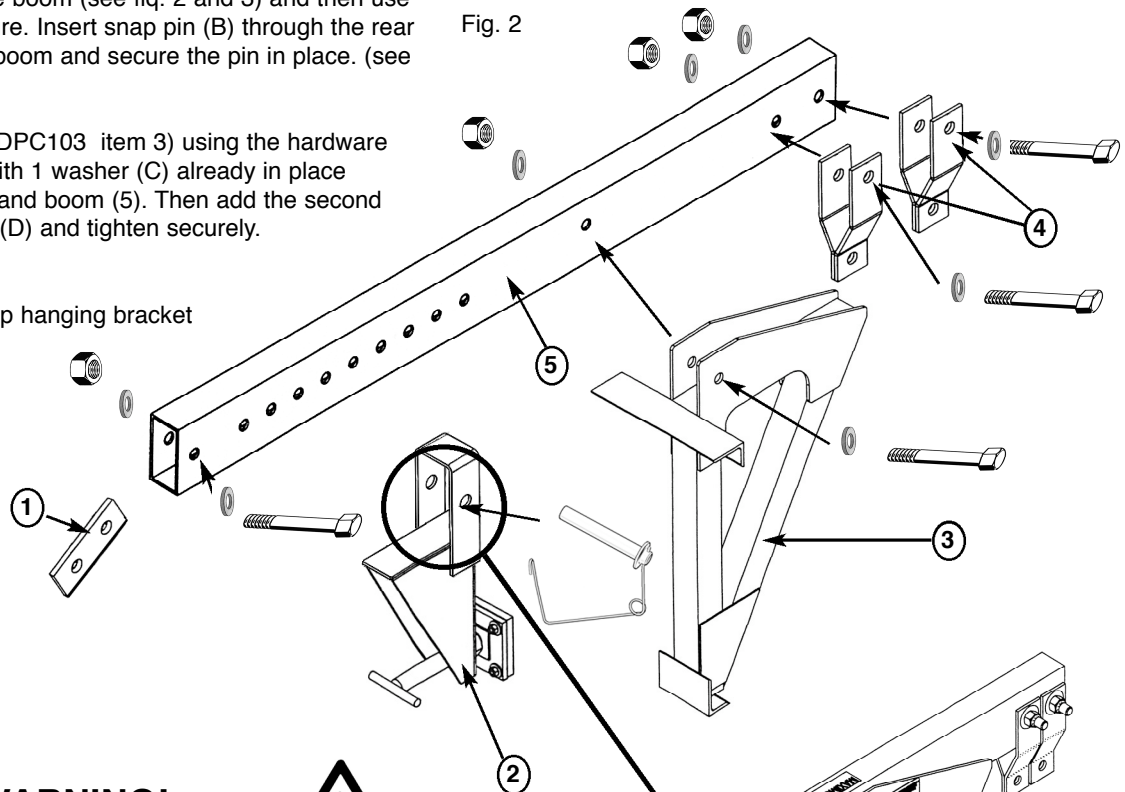
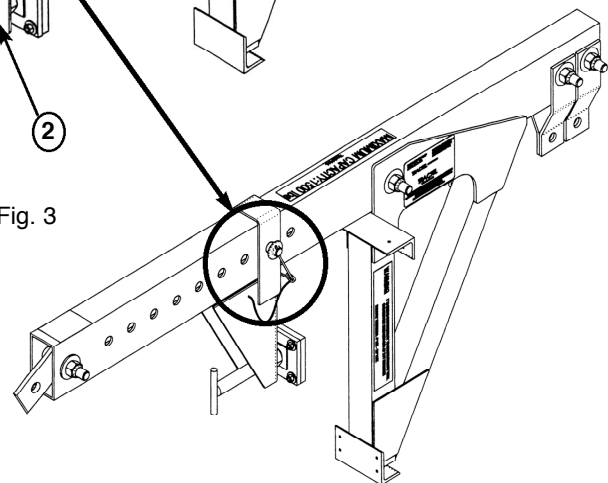


Fig. 3



WARNING!



Before installing a parapet clamp, the parapet must be inspected by the building owner's engineer of record to ensure the parapet can support the intended loads.

4.2 INSTALLATION OF PARAPET CLAMP



WARNING!



Before installing a parapet clamp, the parapet must be inspected by the building owner's engineer of record to ensure the parapet can support the intended loads.

The parapet clamp described in this manual has a rated capacity of 1500lbs when properly installed and tied back. The clamp provides for a 24" suspension overhang and clamps on parapets from 4" to 25" wide.



WARNING!



You must use a tieback and tieback anchor(s) with the parapet clamp.

Attach the tieback wire rope to the tieback anchor and to the rear bracket inside the parapet clamp (see fig 6). When finished the tieback shall be installed without slack and at a right angle to the face of the structure when practical but shall not be offset more than 10' (3m) from the centerline of the support device to the anchor. The angle created by the offset shall not exceed 25 degrees (ref. CSA Z91).

Use 2 tiebacks at opposing angles to the tieback anchors if one straight back is not possible (ref. 1926.451 (d)(3)(x)). Keep some slack until installation to the parapet is complete. Always insure the tieback has equivalent strength to the hoisting rope and it must be installed without slack once installation is complete.

The rear clamp assembly allows you to adjust for the thickness of the parapet ranging from 4" to 25" in thickness. Determine the opening required by measuring the width of the parapet and any wood blocking if being used. Secure any wood blocking to the clamp before installation.

Attach thimble end of the suspension wire rope to the hanger bracket on the parapet clamp using a 5/8", 3-1/4 ton shackle. (see fig. 5)

Protect the parapet by placing wood blocks on all bearing locations and slide the clamp in place. Always mount the clamp perpendicular to the parapet, **NEVER** clamp at an angle. (see fig. 6 and 7)

Fig. 4

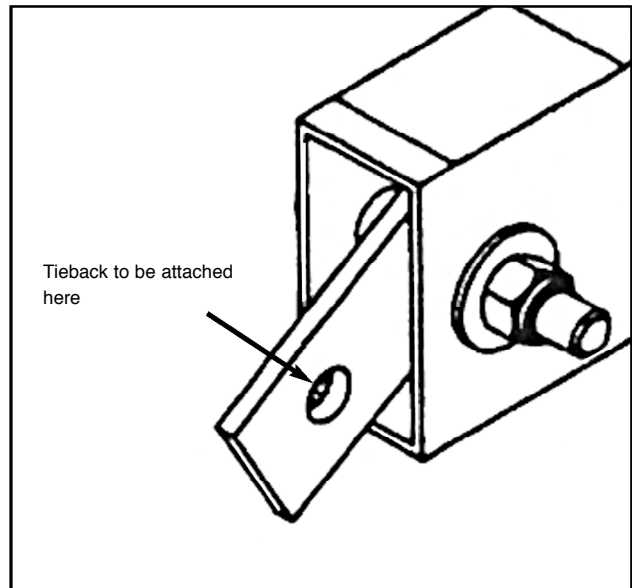


Fig. 5

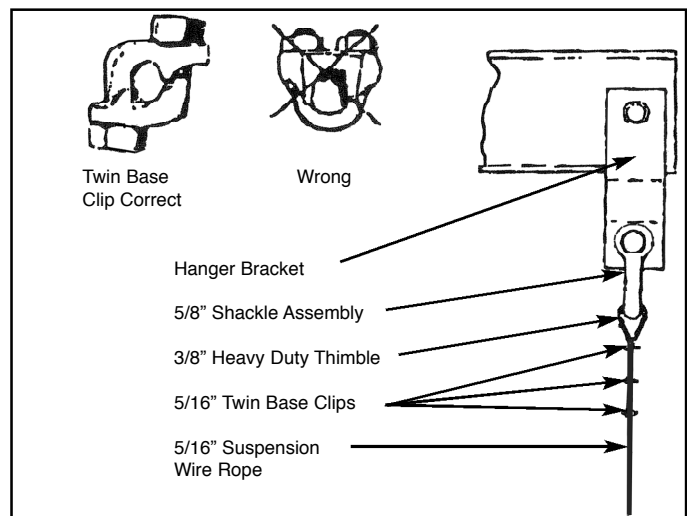
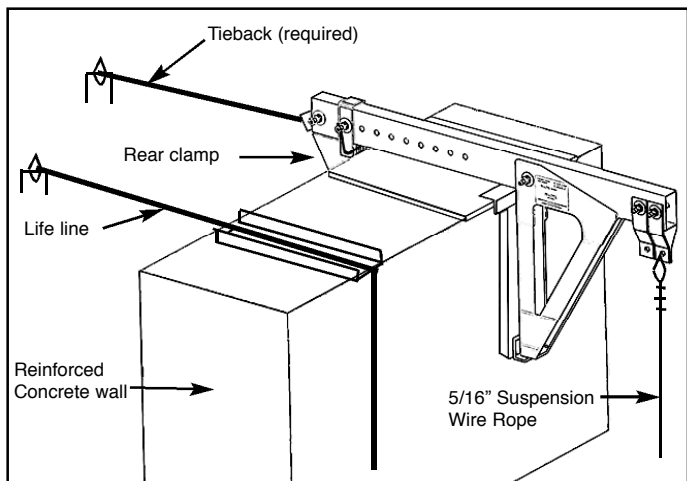


Fig. 6



4.2 INSTALLATION OF PARAPET CLAMP CONTINUED

After the parapet clamp is set on the parapet with wood blocks in place (see fig. 6, 7a and 7b) tighten the parapet clamp to the parapet by the adjusting screw on the rear clamp assembly. Once the parapet clamp is tightened in place lock the adjusting screw into place with the locking nut. (see fig. 7a and 7b)

Once the parapet clamp is secured on the parapet tighten the tieback to the tieback anchor to remove any remaining slack.

The tieback shall be installed without slack and at a right angle to the face of the structure when practical but shall not be offset more than 10' (3m) from the centerline of the support device to the anchor. The angle created by the offset shall not exceed 25 degrees (ref. CSA Z91).

Use 2 tiebacks at opposing angles to the tieback anchors if one straight back is not possible (ref. 1926.451 (d)(3)(x)).

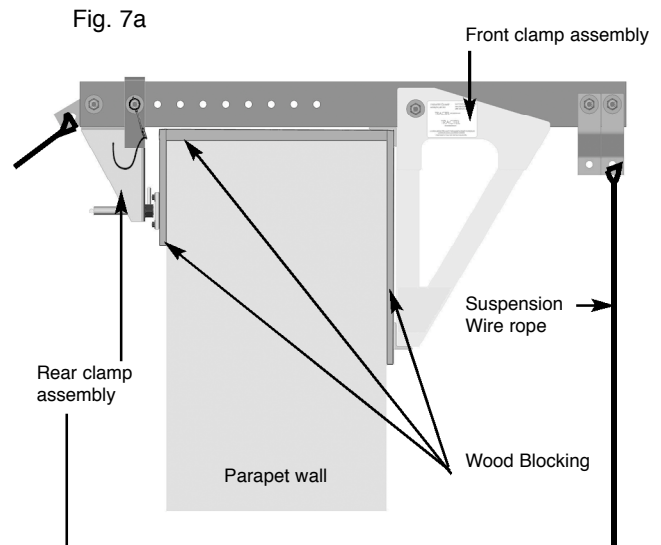
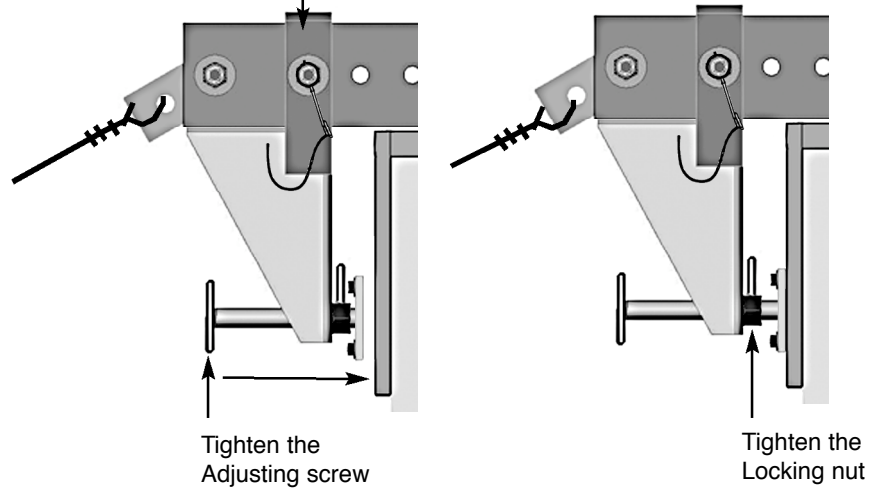


Fig. 7b



4.3 INSTALLATION OF PARAPET CLAMP TIEBACKS

Installation of parapet clamp tieback(s) is mandatory!

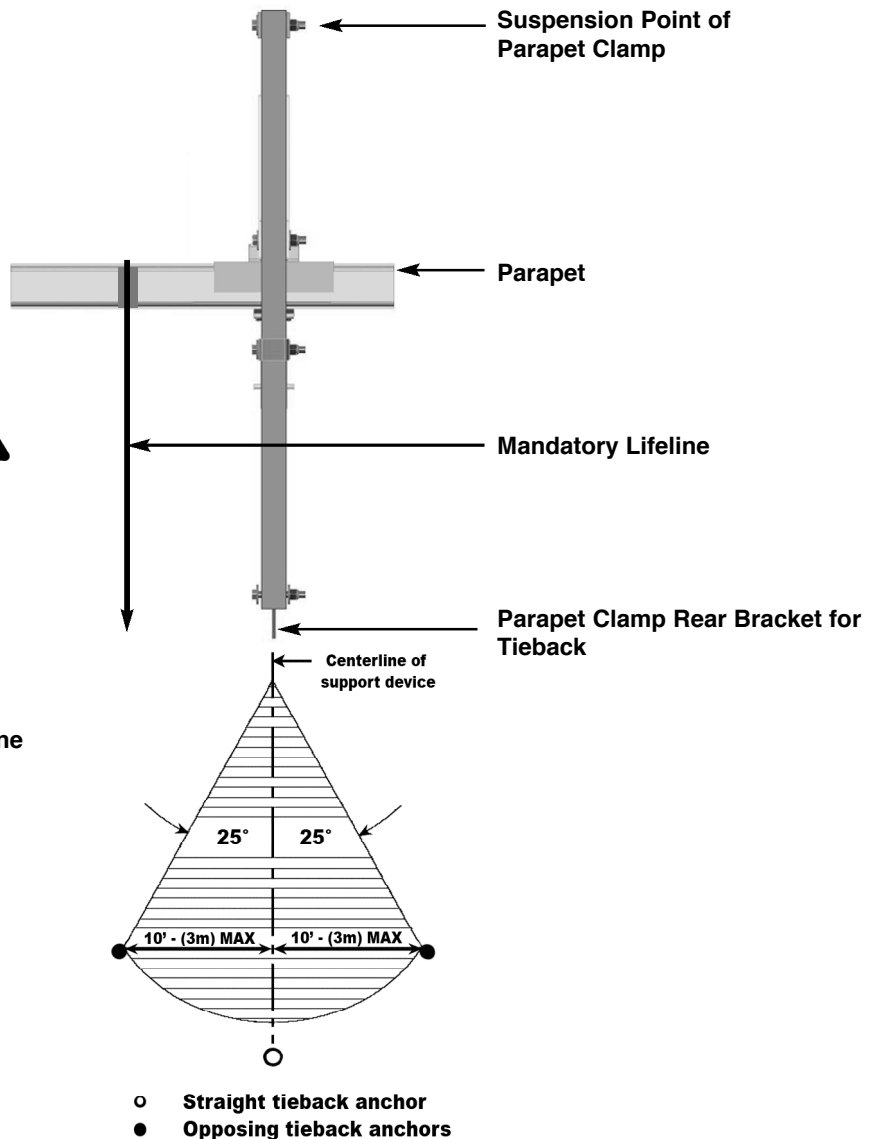
Fig. 8



WARNING!

You must use a tieback and tieback anchor(s)

A tieback shall be installed without slack and at a right angle to the face of the structure when practical but shall not be offset more than 10' (3m) from the centerline of the support device to the anchor. The angle created by the offset shall not exceed 25 degrees (ref. CSA Z91). Use 2 tiebacks at opposing angles to the tieback anchors if one straight back is not possible (ref. 1926.451 (d)(3)(x)).



Secure the tieback to rear bracket on the parapet clamp, and to the tieback anchor on the roof. Tieback wire ropes must have the equivalent strength to the hoisting ropes and must be installed without slack.

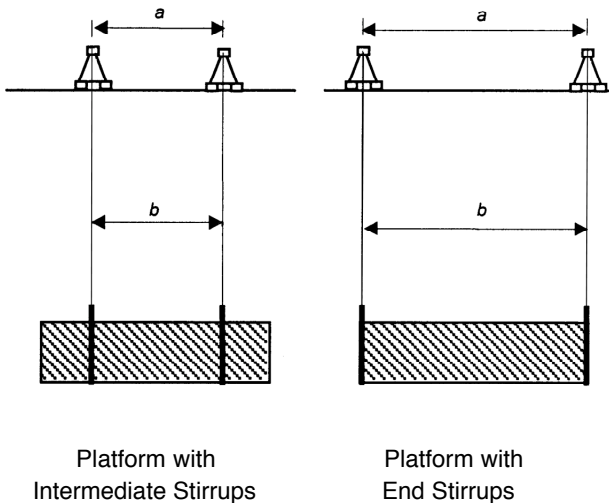
- NOTE: 1) These Tieback angles also apply to lifeline TieBacks.
 2) When using the two tiebacks, one must be on each side of the parapet clamp.



4.4 SET UP OF PRIMARY WIRE ROPES

- a. Use only wire ropes as specified by the hoist manufacturer.
- b. Before setting up the wire ropes, ensure that the suspension points are capable of supporting the hoist, platform and its rated load with the required safety factors according to regulations.
- c. Ensure that the distance (a) between the suspension points is equal to the distance (b) between the platform stirrups. The wire ropes must be vertical and parallel to each other for proper operation of the platform. (see Fig. 9)
- d. Unreel the wire ropes at ground level, and pull them to the top of the building using a transfer line. **Never unreel or throw a wire rope from the top of the building.**
- e. Attach each wire rope to an independent suspension point.
- f. If using 2 ropes check that the distance between the dual wire ropes of the hoist is the same at both the top and bottom ends.
- g. Operator must be independently tied off to a separate vertical lifeline when using a 1 rope system.

Fig. 9



4.5 SET UP OF PARAPET CLAMP



CAUTION:



Always ensure that the parapet and parapet clamp can sustain the loads being applied. If in doubt ask!

Note #1: All anchoring devices must be secured to a structurally sound anchorage on the building or structure by a tieback having strength equivalent to or greater than that of the hoisting rope. For further details regarding the tieback and tieback anchor see figure 8 on page 10.



Note #2: The use of any suspended scaffold is unsafe without:



- a. Guardrails, midrails and toeboards on all sides of the scaffold platform in accordance with OSHA regulations, State, Provincial and local codes. It is of the utmost importance to include these components when using suspended scaffold.
- b. Personal fall arrest systems in use that comply with OSHA regulations, State, Provincial and local codes.

5. CHECKS BEFORE USING THE PARAPET CLAMP

Before starting use on a new site, make a general review, of every place where an obstacle or dangerous items, (especially electrical equipment or lines) may be located in the possible way of the platform or of the suspension system. Before using the platform, the following checks must be carried out by a qualified person.



WARNING:



Ensure that the load does not exceed the rated load of the platform, hoist, parapet clamp or parapet.

5.1 Suspension points and support equipment

- Check that all connectors, pins, nuts and bolts are securely installed and fastened and that the parapet clamp is structurally intact.
- Ensure the safety tiebacks and lifelines are installed without slack. (see fig. 8 page 10)
- Check that suspension points of wire ropes used with each platform (primary, and secondary wire ropes if any) have been properly attached.
- Ensure that the parapet clamp is directly above the hoist in order to avoid excessive lateral forces on the support equipment. (see Fig. 9 page 11)

5.2 Tiebacks - ARE MANDATORY!

Tieback wire ropes with strength equivalent to the hoisting ropes must be installed without slack. Tiebacks are to be at right angles to the building and firmly secured to separate safety tieback anchors, which meet or exceed load capabilities of all local safety codes. In the event that the tieback cannot be installed at right angles. (see Fig. 8 page 10)

5.3 Platform

- Refer to the manual of the platform manufacturer.
- Check that all connectors, pins, nuts and bolts are securely installed and fastened.
- Check the mounting connections of the hoists.
- Ensure that the platform is structurally intact.
- Ensure that the load does not exceed the rated load of the platform, hoist or parapet clamp.
- Ensure that the platform is clear of any snow, ice, debris or other material.
- Guardrails are secured at proper heights.

5.4 Wire ropes

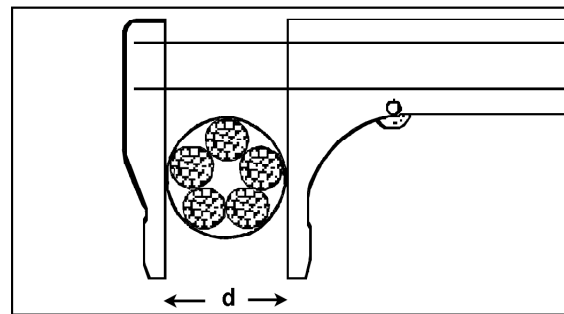
- Visual check of wire ropes.

NOTE: Only wire ropes specified by the hoist manufacturer should be used. Regularly lubricate the wire ropes. Wire ropes must be replaced if any of the following defects are found:

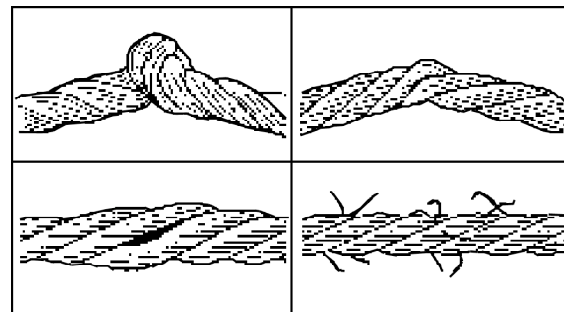


- more than 7 wires broken on a length of 1 foot (300 mm).
- kinking, crushing, birdcaging or any other distortion of the wire rope construction.
- corrosion.
- heat damage.
- reduction of nominal diameter of more than 5%.
- refer to wire rope manufacturer if in doubt.

Fig. 16



- Correct method of measuring wire rope diameter



- Examples of damaged wire ropes

5.5 Hoists

- Refer to the manual of the hoist manufacturer.
- Check if the power supply is compatible with the requirement of the hoist.
- Check if the cable size of the power cord is sufficient.
- Check that the hoists, blocstop and emergency switches function properly.
- Check that power cord has strain relief to avoid damage.

6. USE AND OPERATION OF THE PARAPET CLAMP




CAUTION!



- Never operate the platform supported by the Parapet clamp without a personal fall arrest system in use.
- Barricade the area below the platform whenever possible.
- Maximum allowable wind speed in service is 25 mph. (40kph)
- Tie or secure the suspended scaffold to prevent it from swaying as sudden gusts of wind may occur in some areas, as determined to be necessary by a competent person. Tie and secure the equipment and disconnect power when it is left unattended. Refer to applicable regulations. Never leave unattended suspended platform fitted with weather enclosure
- Each electric hoist is controlled independently using a push button control, fitted with up and down buttons and an emergency stop button. While air hoist are controlled by a directional control instead of push buttons.
- Raise and lower the platform a small height at the start of each day to check its operation and braking mechanisms.
- Press the up button. The platform should lift. If not, call an electrician to check the power supply. Never operate the platform if lifting is through the down button.
- Keep the platform level. To level the platform back in its horizontal position only operate one of the two hoists.
- Take a first aid kit, radio and fire extinguisher for emergency.
- Never stand on the railing!
- Set the platform down on a safe support and remove tension from wire rope before moving the parapet clamp or platform.
- Have a rescue plan ready in case of emergency.
- Operating people should have been trained on rescue procedures before use.

7. INFORMATION FOR MAINTENANCE

- Maintenance may only be carried out by personnel authorized by Tractel.
- Inspection is to be carried out by a competent person before each rigging of the platform.
-  - Inspection by persons authorized by Tractel is to be carried out once every six months. To spot check the condition of the skylamp and its components and that the rigging is being done correctly. A signed and dated inspection record should be maintained.
- Operating life of platform depends on number of hours in service, operating and weather conditions.

8. LABELS FOR PARAPET CLAMP

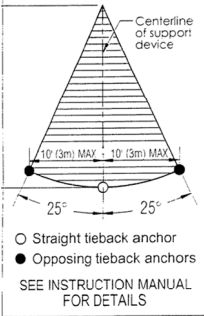
Part # SPLB045A

Part # SPLB087B

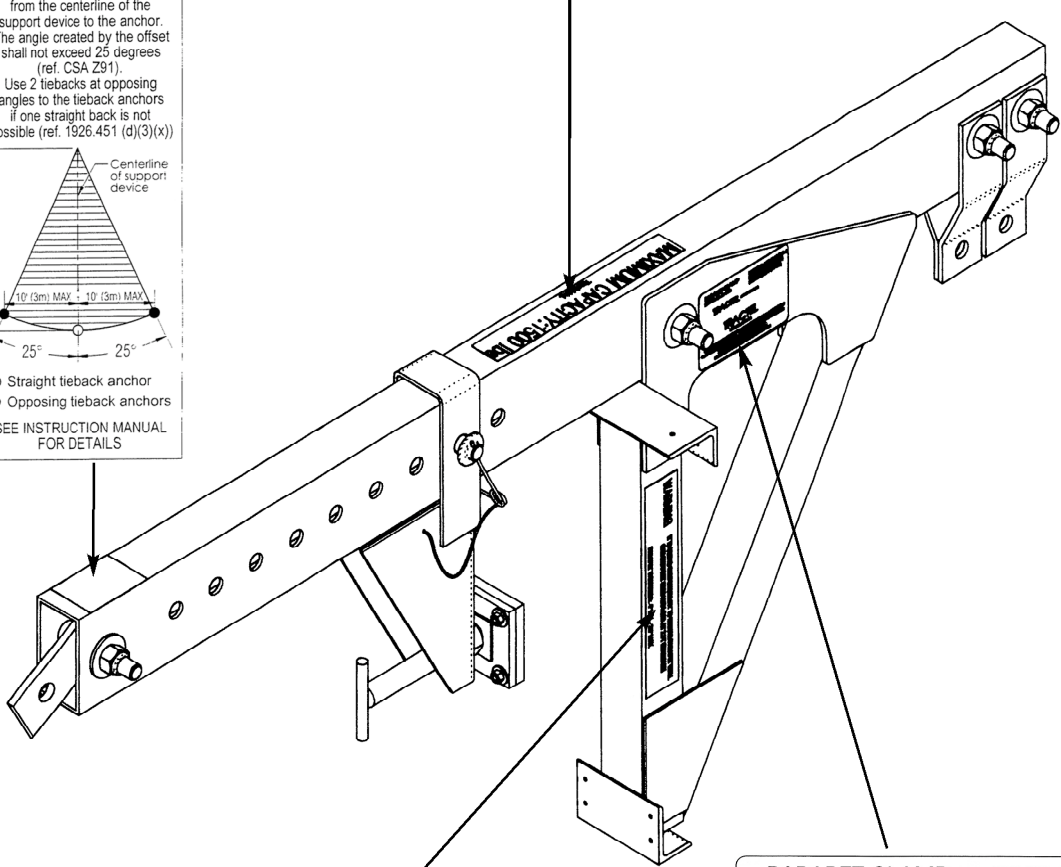
YOU MUST USE TIEBACK(S) AND TIEBACK ANCHOR(S)

A tieback shall be installed without slack and at the right angle to face of the structure when practical, but shall not be offset more than 10' (3m) from the centerline of the support device to the anchor. The angle created by the offset shall not exceed 25 degrees (ref. CSA Z91).

Use 2 tiebacks at opposing angles to the tieback anchors if one straight back is not possible (ref. 1926.451 (d)(3)(x))



MAXIMUM CAPACITY: 1500 lbs
Tractel Ltd.



WARNING IT IS USER'S RESPONSIBILITY TO ENSURE PARAPET WALL CAN SUPPORT 6000 LBS LOAD AT 2 FT OUTREACH
PARAPET THICKNESS: 4" MIN - 25" MAX

PARAPET CLAMP MAX CAP: 1500 LBS (680KG)
MODEL NO. DPC001 MAX REACH: 24" (61 CM)
MIN THROAT: 4" (10 CM)

Tractel Inc. GRIPHOIST Division

MFG DATE: SER NO.:

MFG'D BY: **Tractel** Ltd.
Swingstage Division
GRIPHOIST is a registered trademark of Tractel Inc.
SWINGSTAGE is a registered trademark of Tractel Ltd.

CAUTION: BEFORE USE COMPLY WITH MANUFACTURER'S INSTRUCTIONS
WARNING: IT IS USER'S RESPONSIBILITY TO ENSURE PARAPET CAN WITHSTAND 6000 LBS LOAD
NOTE: TIEBACK OR TIEDOWN IS REQUIRED BEFORE USE (5000 LBS, (5400 CALIFORNIA) CAPACITY)
DESIGN TESTED TO COMPLY WITH ANSI / SSFI STANDARD SPS.1.1

Part # SPLB088B

Part # SPLB076A

Contact us at:

**Tractel Inc.
Griphoist Division
51 Morgan Drive
Norwood, MA 02062
Tel: (781) 401-3288
Toll Free 1-800-421-0246
Fax: (781) 828-3642**

**Tractel Inc.
168 Mason Way, Unit B2
City of Industry, CA 91746
Tel: (626) 937-6727
Fax: (626) 937-6730**

**Tractel Ltd.
Griphoist Division
11020 Mirabeau
Anjou, Quebec H1J 2S3
Toll Free 1-800-561-3229
Tel: (514) 493-3332
Fax: (514) 493-3342**

As we are dedicated to continuous improvement of our products, the TRACTEL GROUP reserves the right to modify the specifications of the equipment described in this manual. As a result, illustrations may not represent exactly the product you receive: components and/or design may differ.

The companies of the TRACTEL GROUP and their agents or distributors will supply on request descriptive documentation on the full range of TRACTEL products: lifting and pulling machines, permanent and temporary access equipment, safety devices, electronic load indicators, accessories such as blocks, hooks, slings, ground anchors, etc.

Copyright 2006 Tractel Griphoist Division Version T4779-US-100-05/06 All rights reserved.