

# LADDER DEFENDER

## SAFETY SOLUTION FOR ROOFTOP LADDERS



### BASIC USE

A passive fall safety solution for permanent rooftop access ladders.

### DESCRIPTION

The Ladder Defender is a cost effective product for providing a controlled zone to an access ladder. It allows you safe egress/ingress to and from the ladder. Our unique design incorporates our finishing rail which allows our system to span a parapet wall.

The GuardDog Self Closing Gate is available as an option. The gate should be mounted on the rail sections farthest from the ladder. This creates a safe environment at the ladder by reducing the possibility of the gate closing on hand.

We have three types of brackets for mounting to the ladder frame: Rail to Round, Rail to Flat Bar and Rail to Angle Iron.



### FEATURES

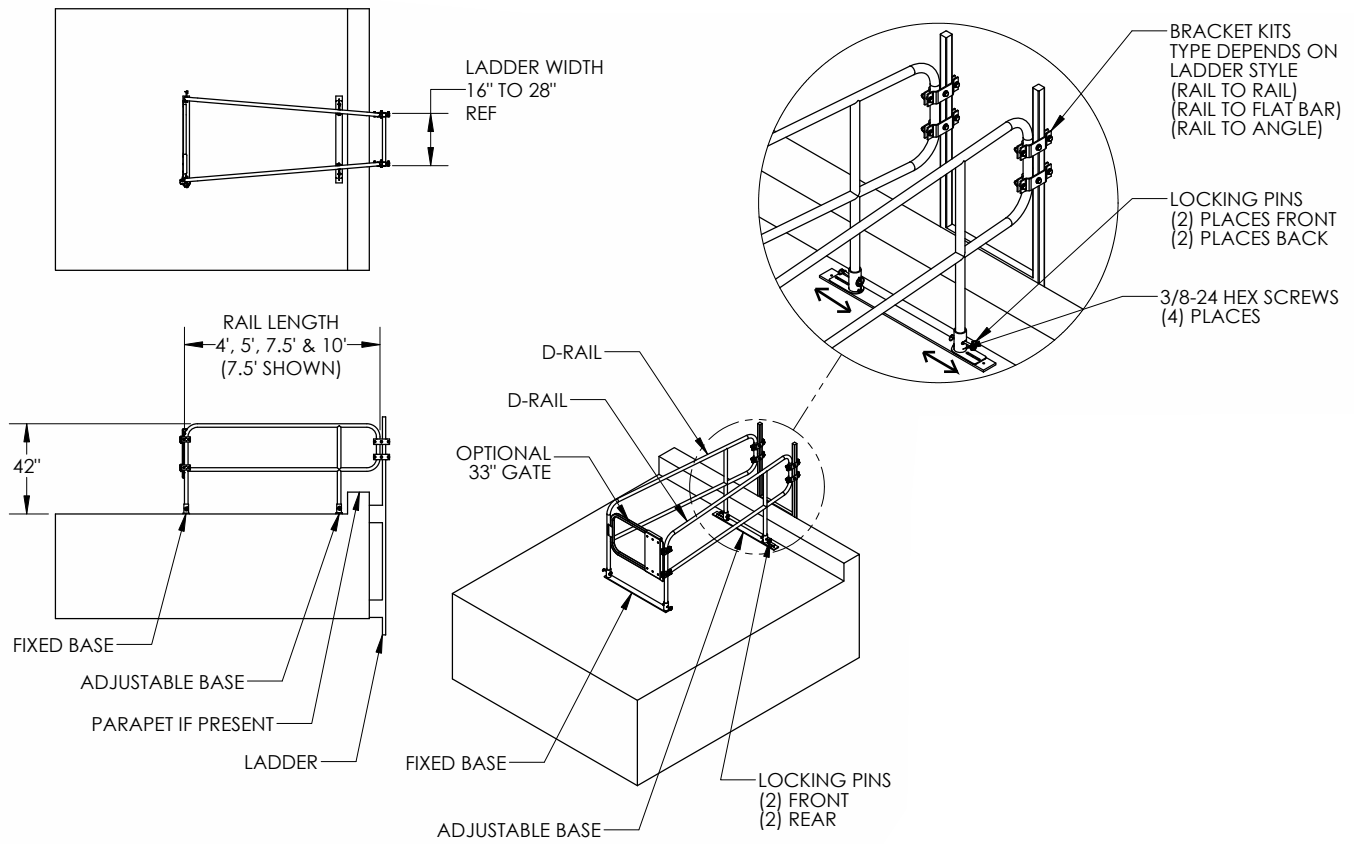
- Non-penetrating
- Assembles in minutes
- Proprietary brackets attach to Rail to Rail, Rail to Flat, and Rail to Angle ladder frames
- Adjustable front bar makes alignment of the rail to the frame a SNAP
- Custom colors available
- Finishing rails are standard

### OSHA COMPLIANCE

Fully compliant with all OSHA standards.

# MAIN FEATURE

The Ladder Defender is intended as a stand alone product for roof access egress.



<b>PROJECT</b>	
<b>CONTRACTOR</b>	
<b>DATE</b>	